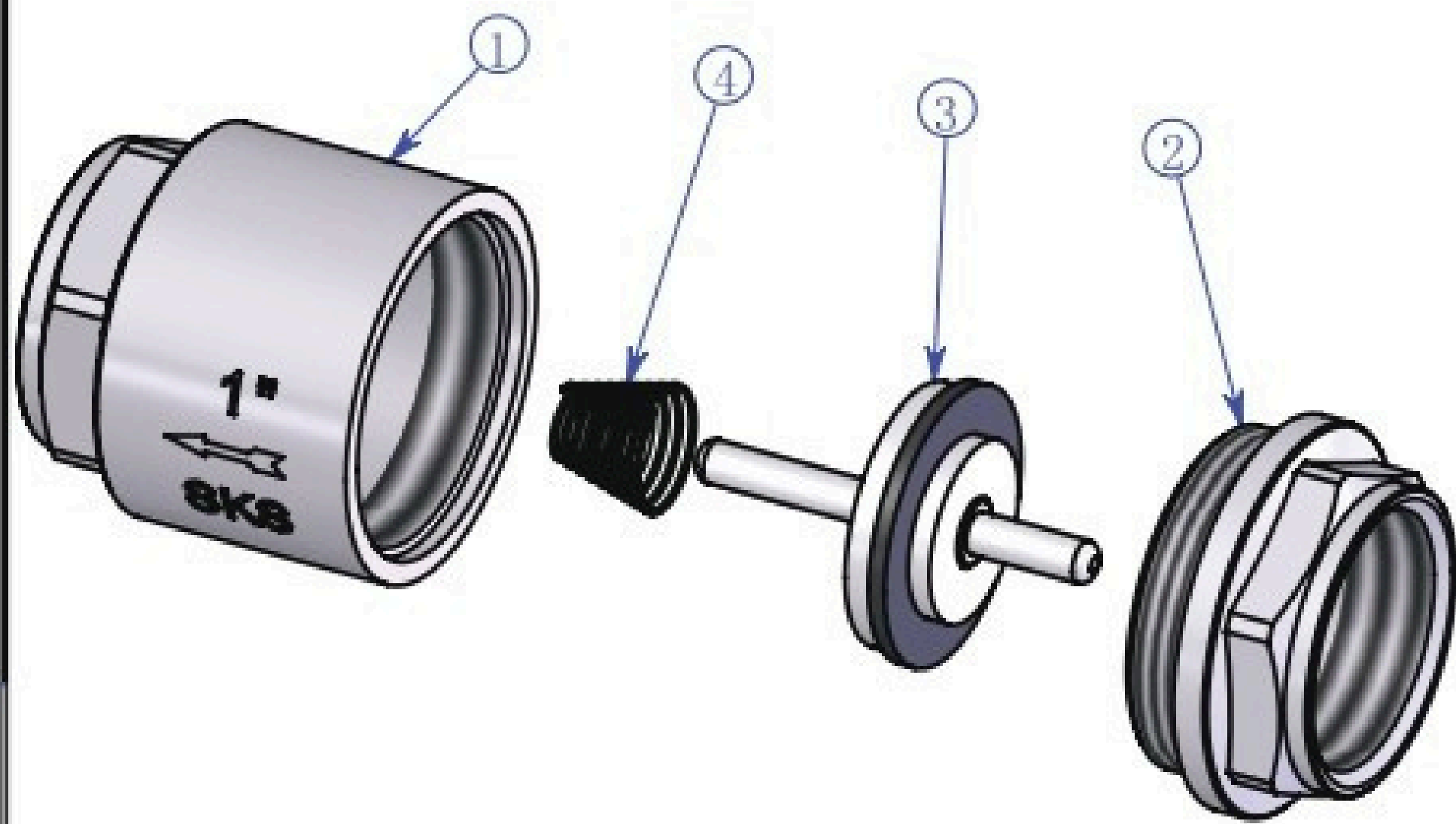
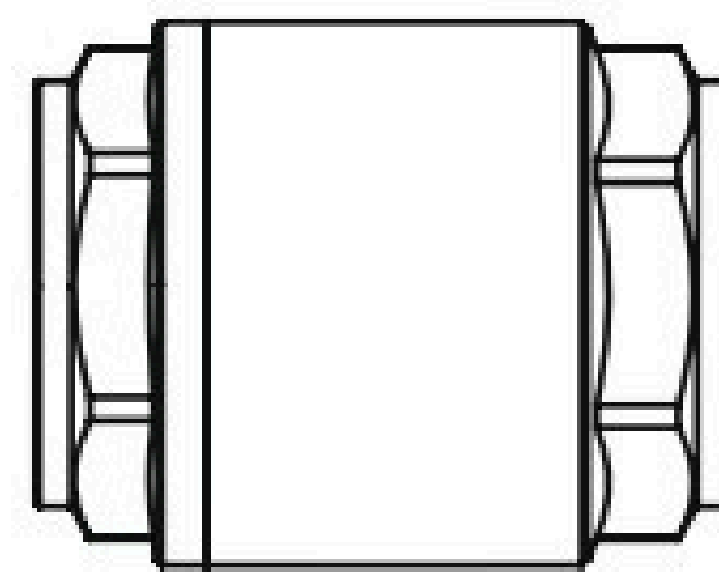
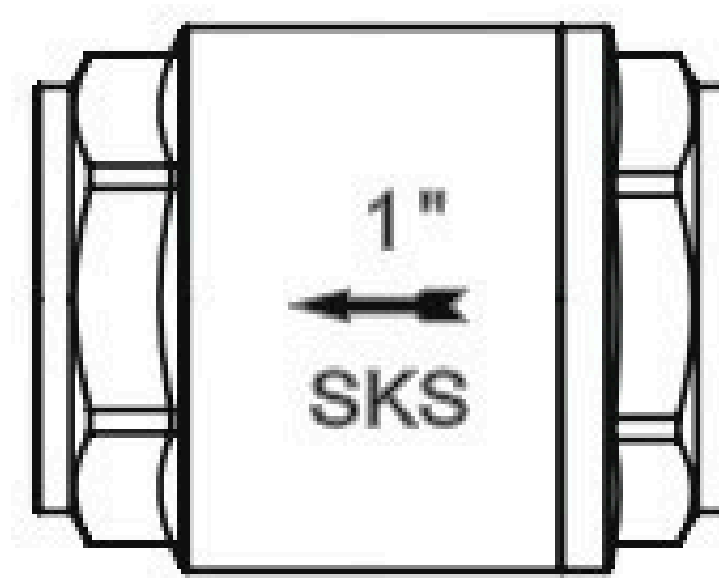
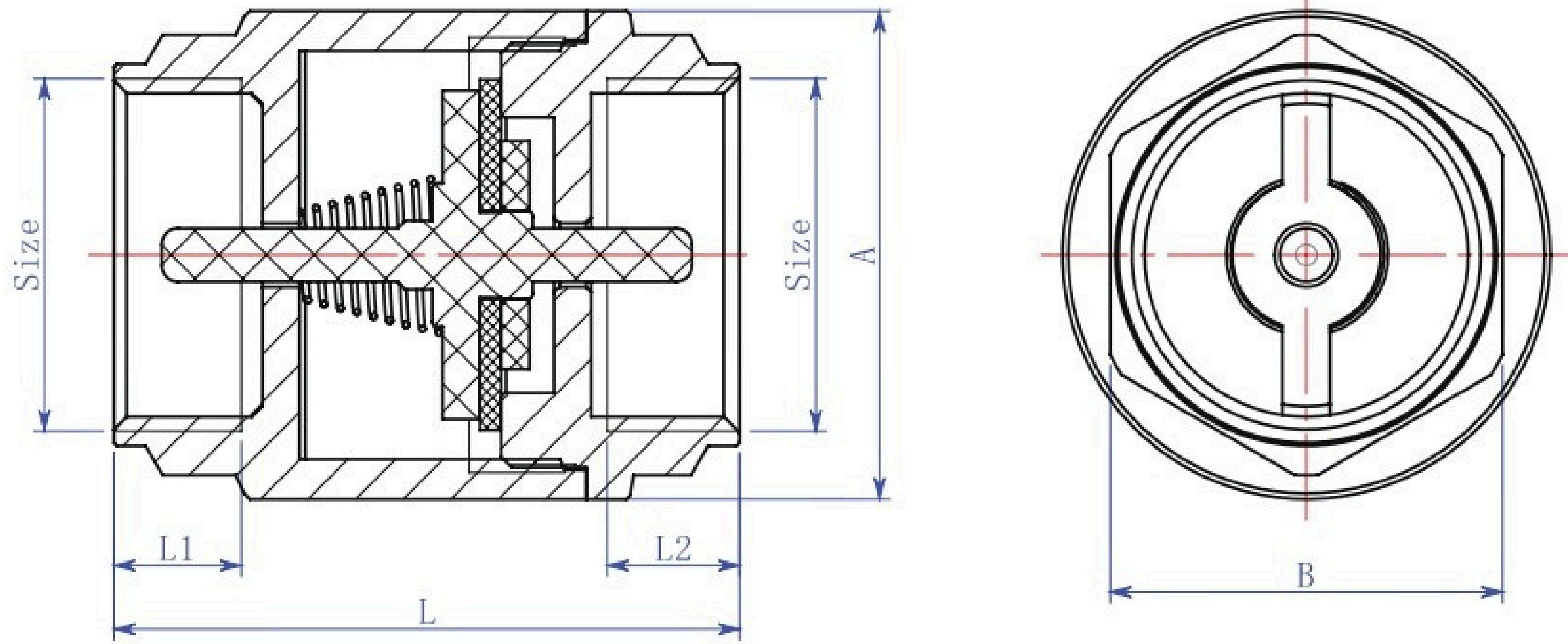


Size	L	L1	L2	A	B	Weight(g)
1/2"	47.5	10.5	11	∅31	SW24.5	125
3/4"	51	11	11	∅38	SW30	184
1"	59	12	12.5	∅46	SW37	295
1 1/4"	64	14	14	∅56	EN47	395
1 1/2"	71	16.5	15.5	∅63	EN53.5	560
2"	79.5	15	15	∅79	EN67	885



**Specification:**  
 1. Working Pressure: 1.6 MPa;  
 2. Working temperature: -10 C~80 C;  
 3. Surface: Nickel-plated.

No.	Name	Material	QTY.
1	Body	Brass with Nickel plated	1
2	Bonnet	Brass with Nickel plated	1
3	Valve disk	PA6+NBR	1
4	Spring	Stainless steel	1

EDITION

Customer drawing number

TOLERANCE OF DIMENSIONS AND GEOMETRY UNLESS OTHERWISE SPECIFIED			
DIMENSION GB/T1804-m	ANGLE	PLUMB	CONCENTRICITY
≤6	±1°	±0.1	∅0.3
> 6≤30			
> 30≤120			
> 120≤400			
DESIGN	Radman	2013. 07. 31	
CHECKED	XGW	2013. 07. 31	
PROCESSOR	LWF	2013. 07. 31	
STANDARDIZATION	YSY	2013. 07. 31	
APPROVED	YSY	2013. 07. 31	

PRODUCT TYPE :	3550
TITLE :	Assembly drawing 1/2"- 2"
ART.	SKS. 530

DWG.NO.	235500400	EDITION	A
PROJECTION MEANS	PRIMO ANGLE OF VIEW	DRAWING UNIT	mm
DESIGN SIGN	G.W	N.W.	SCALE
S	B		1:1
PAGE OF			